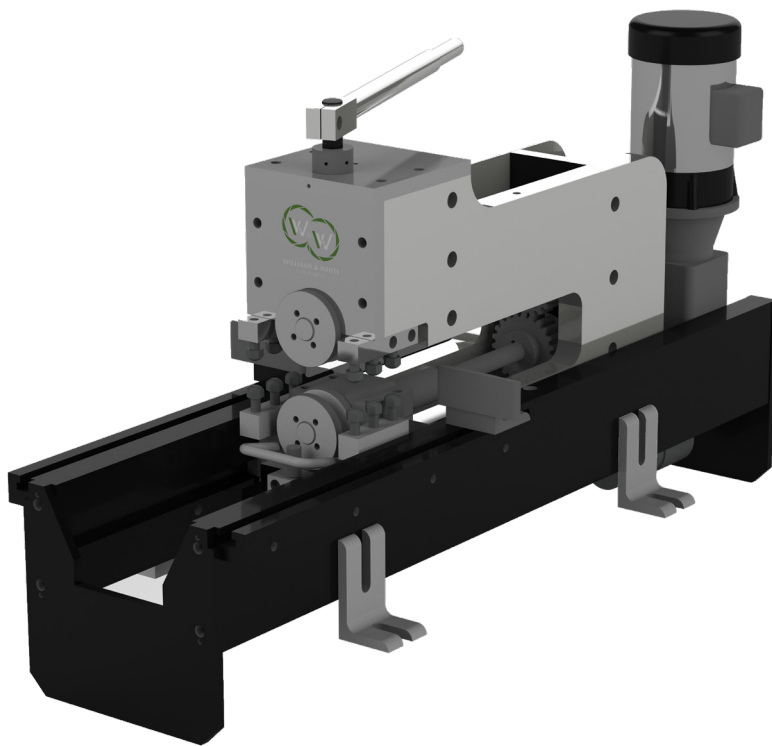




# Dish-O-Matic Band Saw // Stretcher Roll



*The Williams & White Dish-o-Matic Band Saw Stretcher ultimately Stretcher roll effortlessly tensions and level band saws with the one machine. Saving time and space in the shop floor.*

## Highlights

- ✓ **Heavy-duty C-frame construction** → robust design is built to last
- ✓ **High-precision roll placement with electric actuator** → for easy setup
- ✓ **Patented Dish-O-Matic II system** → saw tensioning & leveling on one machine without flipping the saw
- ✓ **Manual or hydraulic roll pressure** → reduces heavy saw hammering
- ✓ **Drum switch roll actuation** → for simple operation

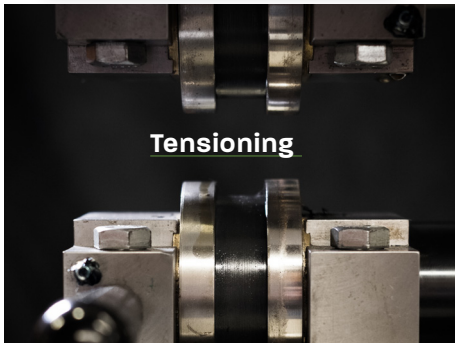


## Key Features

### Dish-O-Matic II roll system

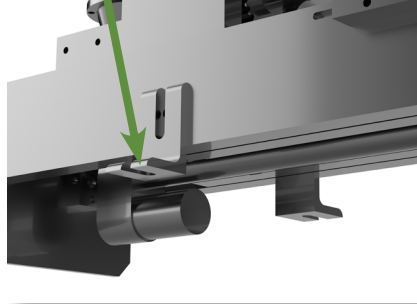
- + For precise tensioning and leveling on one machine. The DOM II roll system allows the filer to tension and level the saw with one machine.
- + Off-set roll diameter for unobstructed tensioning.

## NO NEED TO FLIP THE SAW WITH THE DOM II STRETCHER!



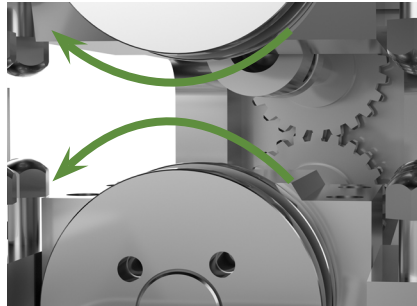
### Electric actuator for cross saw roll movement

- + Easily change rolling position for precise tensioning.



### Both top and bottom rolls are driven

- + Ensures band saw properly feeds through roll system.



## Options

- + Hydraulic roll pressure
- + Variable speed rolls
- + Motor brake
- + Round saw attachment
- + Digital pressure gauge



## Models

#10E	Tensioning up to 10" wide bands
#10 DOM2	Tensioning and leveling up to 10" wide bands
#17E	Tensioning up to 17" wide bands
#17 DOM2	Tensioning and leveling up to 17" wide bands

## Specifications

	#10	#17
Band saw capacity	Up to 10" (254mm)	Up to 17" (432mm)
Plate thickness	<b>Up to 1/4" (6.35mm) thick</b>	<b>Up to 1/4" (6.35mm) thick</b>
Dimensions	H:18" (457mm) L:36" (914mm) W:30" (762mm)	H:18" (457mm) x L:48" (1,219mm) x W:30" (762mm)
Standard roll radius	6" (150mm)	6" (150mm)
Shipping weight	325kg 717lb	400kg 882lb
Voltage	480Vac, 3 Ph, 60Hz,	400 Vac, 3 Ph, 50Hz
Power	3kVA	3kVA

Williams and White reserves the right to alter or amend specifications without prior notice



Sales@williamsandwhite.com  
www.williamsandwhiteequipment.com

CALL US NOW

+1 604-293-2268

TOLL FREE: 1-888-293-2268