



HSS Saw Blade Grinder

KNC-560H & KNC-710H



The KNC-560H and KNC-710H are automatic CNC saw grinders for HSS cold saw blades, friction saw blades and segmental saw blades in both manufacturing and re-sharpening applications.

Highlights

- ✓ **Grinding function for 6 different tooth forms** → For flexible and efficient operation
- ✓ **Easy operation & fast application** → Manufacture the un-toothed new saw blade with only one cycle
- ✓ **Self-Detection & Modular Control System** → Displays error on screen for easy troubleshooting
- ✓ **Tooth+Chamfer Grinding in one setup** → Stopping machine for adjustment is not required
- ✓ **Auto-Chamfering function** → Completely automatic and hands-free
- ✓ **Identical Outer Rim Grinding function** → Used saw blade can be ground to identical diameter



Key Features

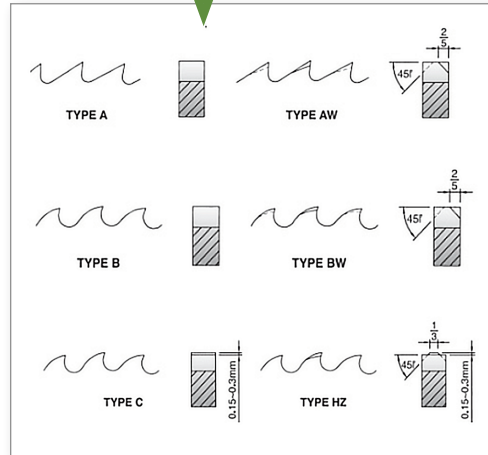
CNC controlled

- + Programmable tooth shapes, easy operation, and fast application



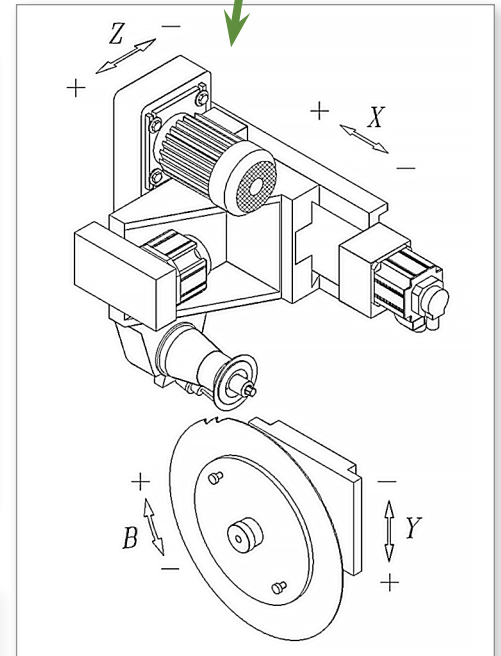
Tooth Grinding Profiles

- + 6 tooth form grinding functions are available



Traversing direction of NC axis

- + 4 Axis servo motor as shown



Heavy duty construction

- + Extreme durability and reliability



Accessories

- ✓ Saw blade holder
- ✓ Small saw blade base
- ✓ Internal lighting
- ✓ Auto machine lubrication system
- ✓ Wheel spindle auto lubrication system
- ✓ Heat exchanger of electrical cabinet
- ✓ High pressure cooling device
- ✓ Mist collecting device
- ✓ Magnetic Separator
- ✓ Tools

Options

- ✓ Small saw blade base 22mm
- ✓ A.V.R. Automatic Voltage Regulator
- ✓ Air conditioner of electrical cabinet
- ✓ Probe

Standard Specifications

Saw Diameter	KNC-560H: 1"(Optional), 1.5"~22" KNC-710H: 1"(Optional), 1.5"~28"	KNC-560H: 25mm(Optional), 40~560 mm KNC-710H: 25mm(Optional), 40~710 mm
Pitch range	0.9" (max)	24mm (max)
Grinding teeth limit	10 ~ 998 teeth	10 ~ 998 teeth
Thickness of saw blade	0.25" (max)	6.5mm (max)
Range of cutting angle	0.01°~ 30°	0.01°~ 30°
Feeding speed	2 ~ 60 teeth/min	2 ~ 60 teeth/min
Total electric power	13.4 hp	10kw
Big saw blade base	min 140(grind only), min 170(with chamfer)	min 140(grind only), min 170(with chamfer)
Small saw blade base	min 25(grind only), min 75(with chamfer)	min 25(grind only), min 75(with chamfer)
Grinding Wheel	7.87" dia x 1.25" bore x 0.4" thick	200 mm dia x 32 mm bore x 10mm thick
Footprint	66"x 98" x 91"	167 cm x 248 cm x 231 cm
Weight	5577 lbs	2530kgs
Coolant Capacity	60 liters/min	60 liters/min