



CA5 Tool Grinder



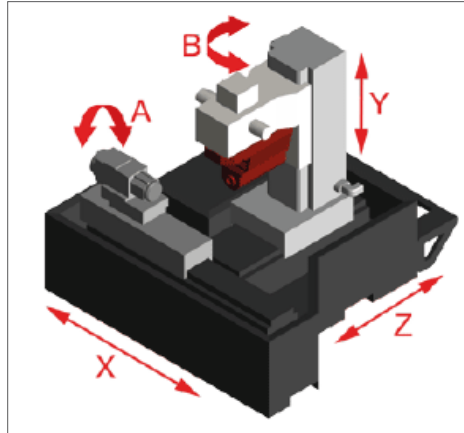
CA5 Tool Grinder is equipped with a long table of 720 mm, a wide range of accessories, a powerful electro spindle and EasyGrind multifunction software. The CA5 EvoBoost is perfect for manufacturing all your tools of small and medium size.

Highlights:

- ✓ **Axes X,Y, Z accurate within +/- .000004" (0.0001 mm)** → Resulting in high precision tools
- ✓ **6 slots grinding wheels rack loader** → Unload/load a wheel in less than 5 seconds
- ✓ **SA50 work piece holder** → Developing a high speed of 650 rpm
- ✓ **19.7" (500mm) long table** → Enough space to install necessary accessories
- ✓ **Mineral casting bed** → Vibration proof. 10 times the classic iron bed rigidity
- ✓ **Ergonomics** → Control desk with an easy replaceable 22" touch screen
- ✓ **Maintenance access panel** → Easy acces for all maintenance & regular cleaning routines
- ✓ **Rigid nozzle tools cooling system** → Additional cooling system controlled by a cylinder
- ✓ **HSK40, HSK50 or HSK63 Electro spindle** → Adjustable speed . Including a self-cooling system
- ✓ **Renishaw tool probing** → Tool detecting and measuring accessory



Technical details



capacities

Maximum tool length (grinding)	20"	500 mm
Maximum tool length (sharpening)	>20"	>500 mm
Maximum tool diameter	10 to 12	250 to 300 mm
Maximum weight of the tool	≈ 220 lbs	≈ 100 kg
Maximum wheel diameter (with HSK50 attachment)	12"	300mm

Options

- Wheel sensor
- Manual Tailstock
- CNC control steady rest
- Robot charger
- Retractable tool cooling

Specifications

X axis course (horizontal)	20"	500 mm
Y axis course (vertical)	11.5"	290 mm
Z axis course (transverse)	12"	300 mm
X axis speed (horizontal)	98'/min	30 m/min
Y axis speed (vertical)	49'/min	15 m/min
Z axis speed (transverse)	49'/min	15 m/min
A axis speed (clamping tool)	650 Rpm	650 Rpm
B axis speed (electro spindle holder)	30 Rpm	30 Rpm
B axis course (electro spindle holder)	-15 / +180 deg	-15 / +180 deg
Electro spindle power	10 to 25 KW	10 to 25 KW
Electro spindle maximum speed	12000 to 20000 Rpm	12000 to 20000 Rpm
Wheels attachment	HSK40, HSK50, HSK63	HSK40, HSK50, HSK63
Dimension with robot	114" x 114" x 87"	2900 x 2898 x 2200 mm
Dimension without robot		2900 x 2150 x 2200 mm
Total weight	14,330 lbs	6500 kg

Accuracy

Axes X, Y, Z axis	.0000039	0,0001 mm
Axes A, B axis	.0001 deg	0,0001 deg



Williams and White reserves the right to alter or amend specifications without prior notice



Sales@williamsandwhite.com
www.williamsandwhiteequipment.com

CALL US NOW
+1 604-293-2268
TOLL FREE: 1-888-293-2268