



**WILLIAMS & WHITE**  
EQUIPMENT

**ACCURACY. INNOVATION. RESULTS.**



# Introducing the RoboSharp-AX10L2

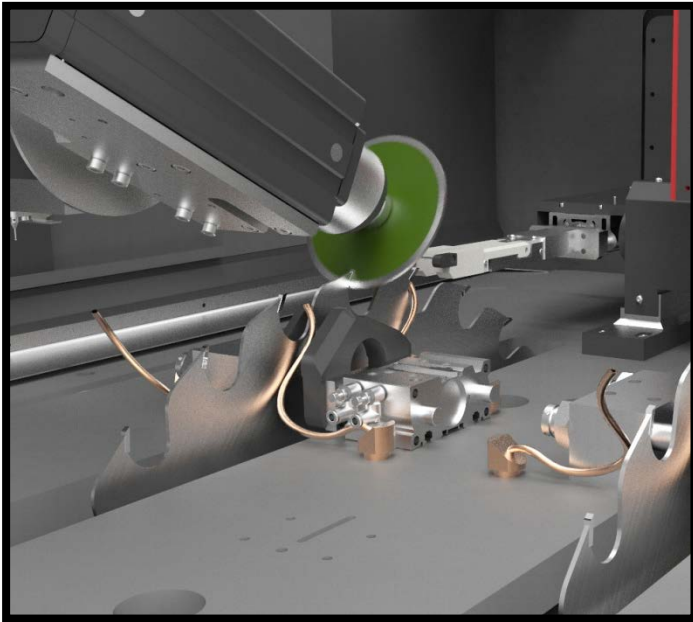
The world's most advanced circular saw sharpener

Patent Pending:  
Canada  
Germany (11 2012 005 443.1)  
United States (14/367,960)

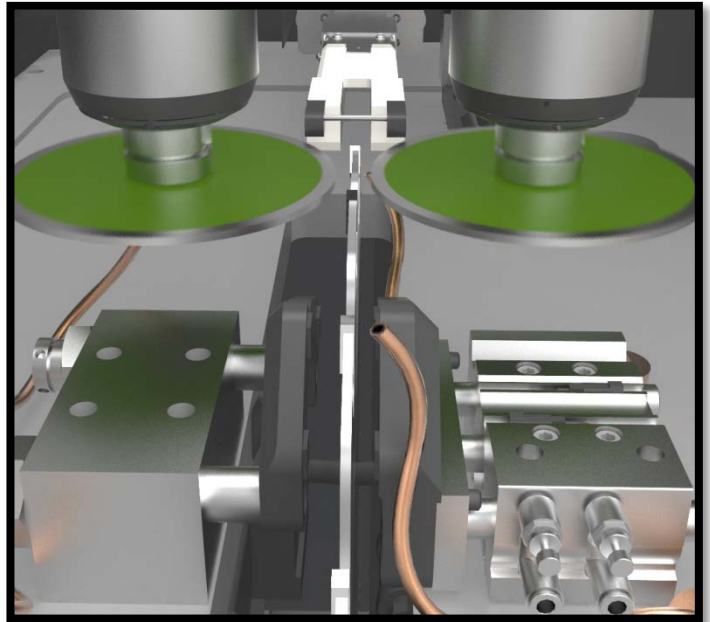
Williams & White Equipment  
1.888.293.2268  
[www.williamsandwhiteequipment.com](http://www.williamsandwhiteequipment.com)

# RoboSharp-AX10L2 OVERVIEW

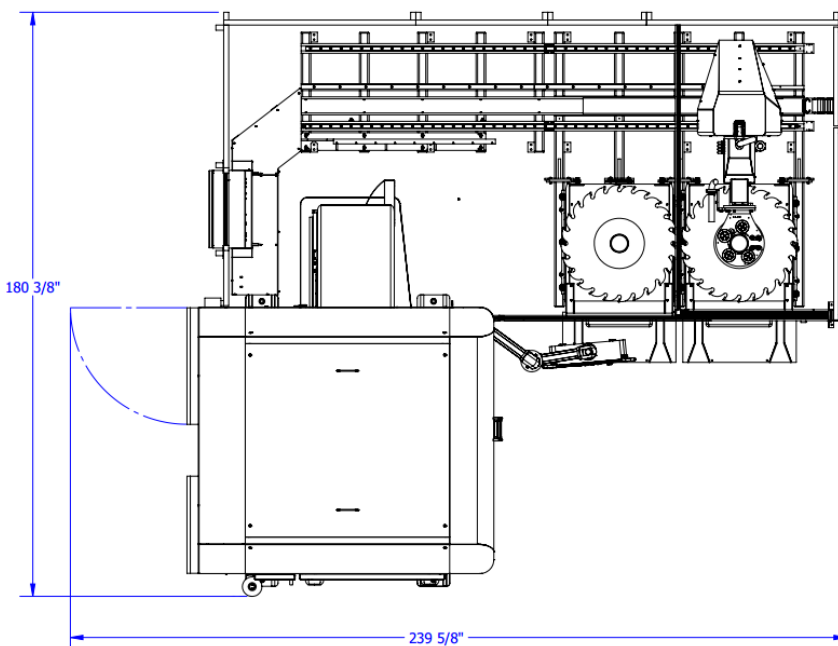
## Top & Face Grinding



## Dual Side Grinding



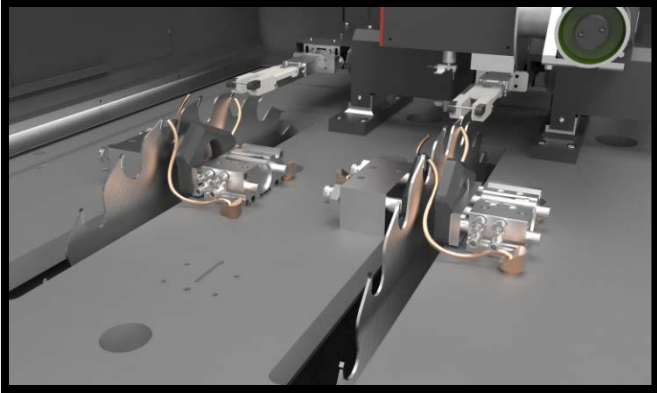
## Optimal Footprint



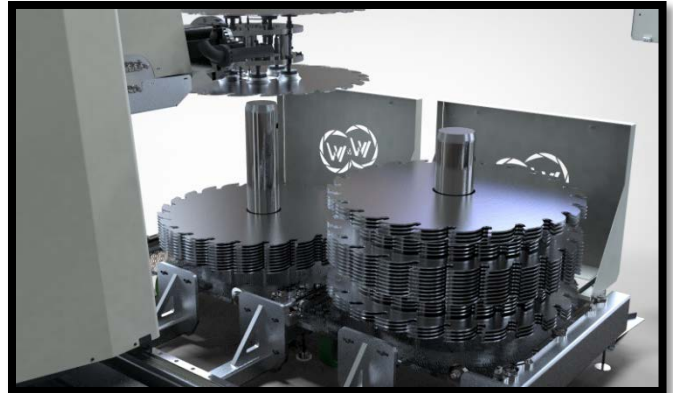
The RoboSharp-AX10L2 is a highly advanced, multi-function circular saw sharpening center. With top & face, dual side and plunge grinding capabilities, the RoboSharp is the most functional machine in the industry. The dual-bay robotic loader and automated tool changing system allow this sharpening centre to run completely lights out. Operators simply load the saws, select the cycle and return once the process is complete.

# RoboSharp-AX10L2 FEATURES

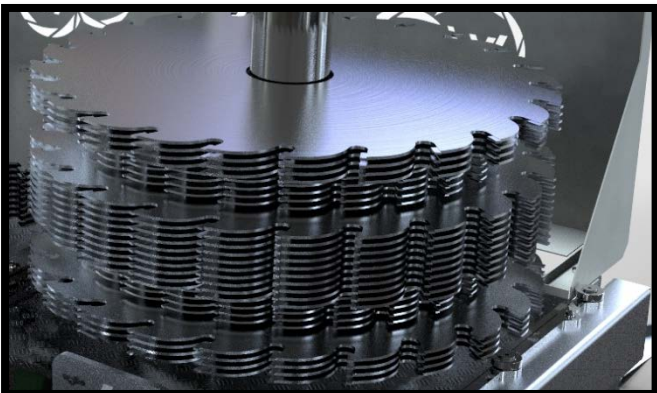
## Dual Blade Capacity



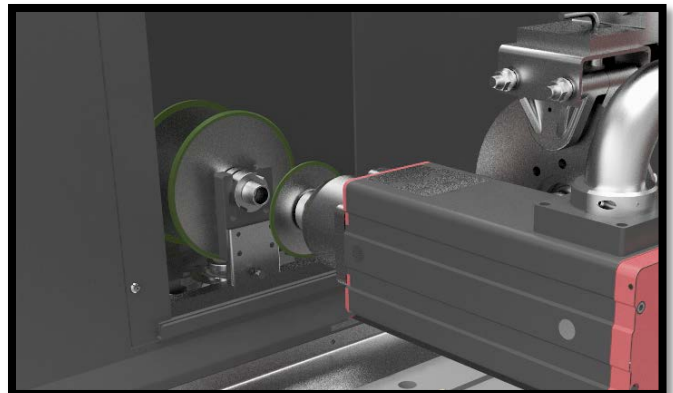
## Robotic Loading



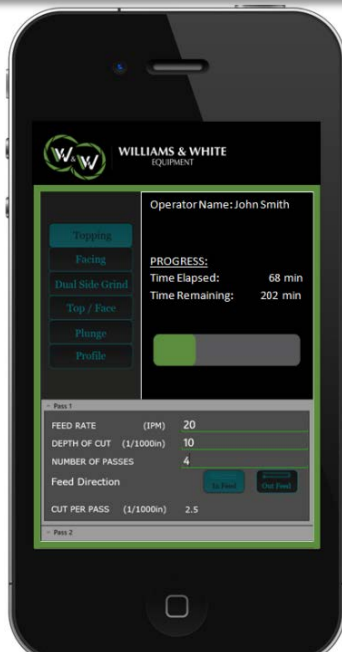
## Multiple Saw Profiles



## Automatic Tool Changing



## Remote Monitoring



- Top & face and dual side grind on one machine
- Robotic loading for maximum safety and efficiency
- Grind multiple saw diameters in one cycle without the need for human intervention
- Automated tool changing allows pre-programming of different grind profiles
- Can detect and replace worn out grinding wheels
- Remote monitoring enables off-site updates and alerts, sent to email or mobile phone.



# RoboSharp-AX10L2

THE NEXT GENERATION OF SAW FILING IS HERE



---

**WILLIAMS & WHITE**  
EQUIPMENT

---

**More information:**

**Williams & White Equipment**

**T: 1.888.293.2268 | F: 604.294.8354**

**sales@williamsandwhite.com**

**www.williamsandwhiteequipment.com**